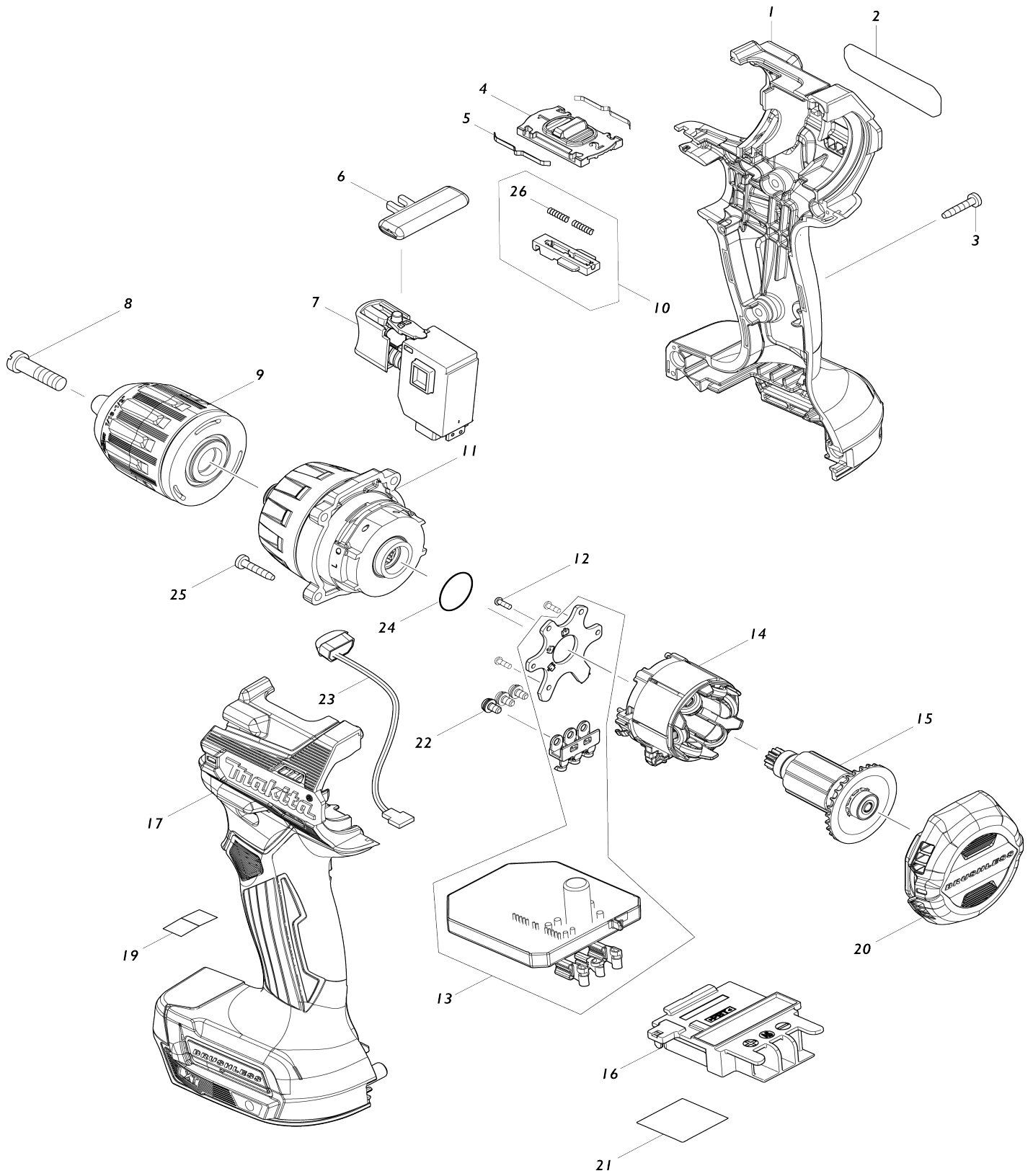


Model No.DDF487 CORDLESS DRIVER DRILL

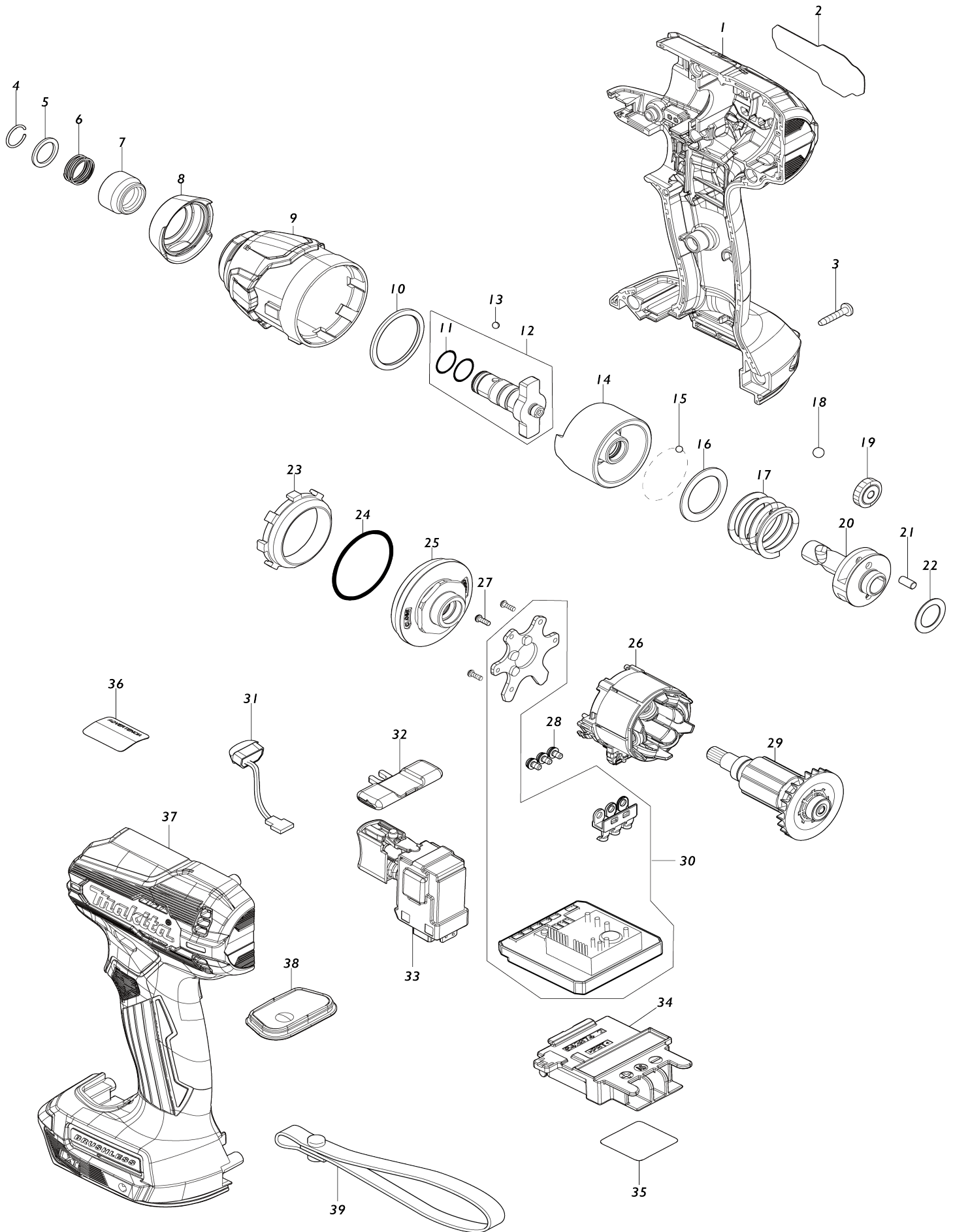


Model No.DDF487 CORDLESS DRIVER DRILL

Item No.	Parts No.	Description
001	183S07-6	HOUSING SET
C10	263005-3	RUBBER PIN 6
C20	252126-6	HEX. LOCK NUT M4-7
C21	252303-0	HEX. LOCK NUT M4-7
001		INC. 17
002	858E10-9	DDF487 NAME PLATE
003	266429-2	TAPPING SCREW 3X16
003-1	266130-9	TAPPING SCREW BIND PT 3X16
004	413310-0	SPEED CHANGE LEVER
005	232493-5	LEAF SPRING
006	419041-9	F/R CHANGE LEVER
007	650689-0	SWITCH C3JW-2B
007-1	650005-6	SWITCH TGRK1-1
008	251468-5	- FLAT HEAD SCREW M6X22
009	763256-3	KEYLESS DRILL CHUCK 13
009-1	763262-8	KEYLESS DRILL CHUCK 13
010	127758-7	CHANGE LEVER ASSEMBLY
010		INC. 26
011	127757-9	GEAR ASSEMBLY
011-1	122B22-3	GEAR ASSEMBLY
012	266490-9	TAPPING SCREW PT 2X6
012-1	265C47-1	TAPPING SCREW PT 2X6
013	620E45-8	CONTROLLER
014	629A41-9	STATOR
015	619671-8	ROTOR
016	643874-2	TERMINAL
017	183S07-6	HOUSING SET
C10	263005-3	RUBBER PIN 6
C20	252126-6	HEX. LOCK NUT M4-7
C21	252303-0	HEX. LOCK NUT M4-7
017		INC. 1
020	413309-5	REAR COVER
021	858E18-3	DDF487 SERIAL NO. LABEL
022	652069-6	FLAT HEAD SCREW M3X6
023	620549-0	LED CIRCUIT
024	213087-5	O-RING 16.5
024-1	213A10-6	O-RING 16.5
024-2	213087-5	O-RING 16.5
025	266429-2	TAPPING SCREW 3X16
025-1	266130-9	TAPPING SCREW BIND PT 3X16
026	233025-1	COMPRESSION SPRING 2
A01	251314-2	+ TRUSS HEAD SCREW M4X12
A02	346317-0	HOOK
A02	346449-3	HOOK
A03	784637-8	+ - BIT 2-45
A04	821550-0	CONNECTOR PLASTIC CASE (TYP E2)
C10	453974-8	LATCH

A05	450128-8	BATTERY COVER
A06	***DC18RC	DC18RC FAST CHARGER
A06		COMPO-PARTS
A07	197254-9	BATTERY BL1820B SET
A08	837670-0	INNER TRAY
A09	8029F7-6	DDF487RAJ INDICATION LABEL
A10	8029F8-4	DDF487RAJ PLASTIC CASE LABEL

Model No.DTD157 CORDLESS IMPACT DRIVER



Model No.DTD157 CORDLESS IMPACT DRIVER

Item No.	Parts No.	Description
001	183S27-0	HOUSING SET
C10	263005-3	RUBBER PIN 6
C20	252126-6	HEX. LOCK NUT M4-7
001		INC. 37
002	811B03-9	DTD157 NAME PLATE
003	266429-2	TAPPING SCREW 3X16
004	231965-7	RING SPRING 10
005	267143-3	FLAT WASHER 11
006	233005-7	COMPRESSION SPRING 13
007	326803-7	BIT SLEEVE
008	422661-0	BUMPER
009	140Y09-1	HAMMER CASE COMPLETE
010	261165-5	NYLON WASHER 26
011	213920-1	O-RING 10.5
012	136381-7	ANVIL M ASS'Y
012		INC. 11
013	216019-1	STEEL BALL 3
014	327824-2	HAMMER
015	216019-1	STEEL BALL 3
016	267380-9	FLAT WASHER 20
017	232326-4	COMPRESSION SPRING 21
018	216002-8	STEEL BALL 4.8
019	227213-0	SPUR GEAR 17
020	327743-2	SPINDLE
021	268217-3	PIN 3.5
022	253052-2	FLAT WASHER 12
023	227316-0	INTERNAL GEAR 43
024	213479-8	O RING 33
025	140Y11-4	BEARING BOX COMPLETE
026	629A44-3	STATOR
027	266490-9	TAPPING SCREW PT 2X6
027-1	265C47-1	TAPPING SCREW PT 2X6
028	652069-6	FLAT HEAD SCREW M3X6
029	619672-6	ROTOR
030	620E43-2	CONTROLLER
031	620521-2	LED CIRCUIT
032	455053-8	F/R CHANGE LEVER
033	143975-1	SWITCH COMPLETE
033-1	141N42-0	SWITCH COMPLETE
033-2	143975-1	SWITCH COMPLETE
034	643874-2	TERMINAL
035	811B11-0	DTD157 SERIAL NO. LABEL
037	183S27-0	HOUSING SET
C10	263005-3	RUBBER PIN 6
C20	252126-6	HEX. LOCK NUT M4-7
037		INC. 1
038	144137-4	SWITCH PLATE COMPLETE

A01	346317-0	HOOK
A02	266622-8	+ TRUSS HEAD SCREW M4X12
F01	191K57-9	TOOL HANGER SET
F01-1	197043-2	TOOL HANGER SET
F03	194281-7	STOPPER SET (W/BITS)
F05	194654-4	HOOK SET